

# ONNERA GROUP

## DESPIECE TECNICO TECHNICAL PARTS

LAVAVAJILLAS DE CAPOTA  
HOOD TYPE DISHWASHERS

### MODELOS / MODELS

G-OEM-H500 B / DD / SA  
G-OEM-H510 B / DD / SA

50Hz/60Hz

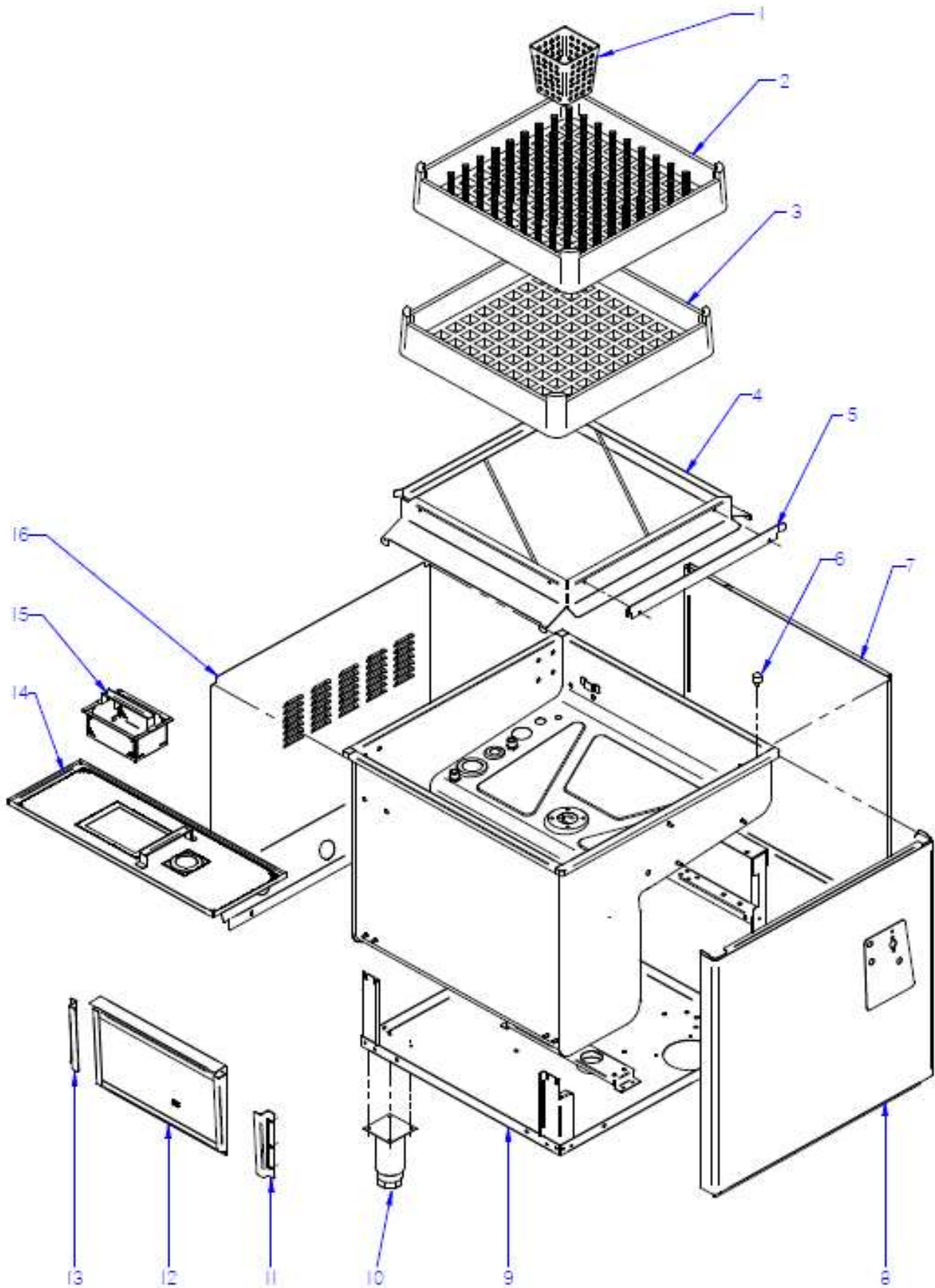
**Vers.** February 2018  
**Revised** February 2019

MODEL DRAWING RELATION

MODEL	HT_01	HT_02	HT_03	HT_09	HT_04	HT_05	HT_06	HT_08
	Frame	Hood	Wash Functional Part	High Power Wash Functional Part	Gravity Drain	Drainage Pump	Rinsing Functional Part	Electric Functional Part
G-OEM-H500	X	X	X		X		X	X
G-OEM-H500 DD	X	X	X		X		X	X
G-OEM-H500 B	X	X	X			X	X	X
G-OEM-H500 B DD	X	X	X			X	X	X
G-OEM-H500 SA	X	X	X		X		X	X
G-OEM-H500 DD SA	X	X	X		X		X	X
G-OEM-H500 B SA	X	X	X			X	X	X
G-OEM-H500 B DD SA	X	X	X			X	X	X
G-OEM-H510	X	X		X	X		X	X
G-OEM-H510 DD	X	X		X	X		X	X
G-OEM-H510 B	X	X		X		X	X	X
G-OEM-H510 B DD	X	X		X		X	X	X
G-OEM-H510 SA	X	X		X	X		X	X
G-OEM-H510 DD SA	X	X		X	X		X	X
G-OEM-H510 B SA	X	X		X		X	X	X
G-OEM-H510 B DD SA	X	X		X		X	X	X

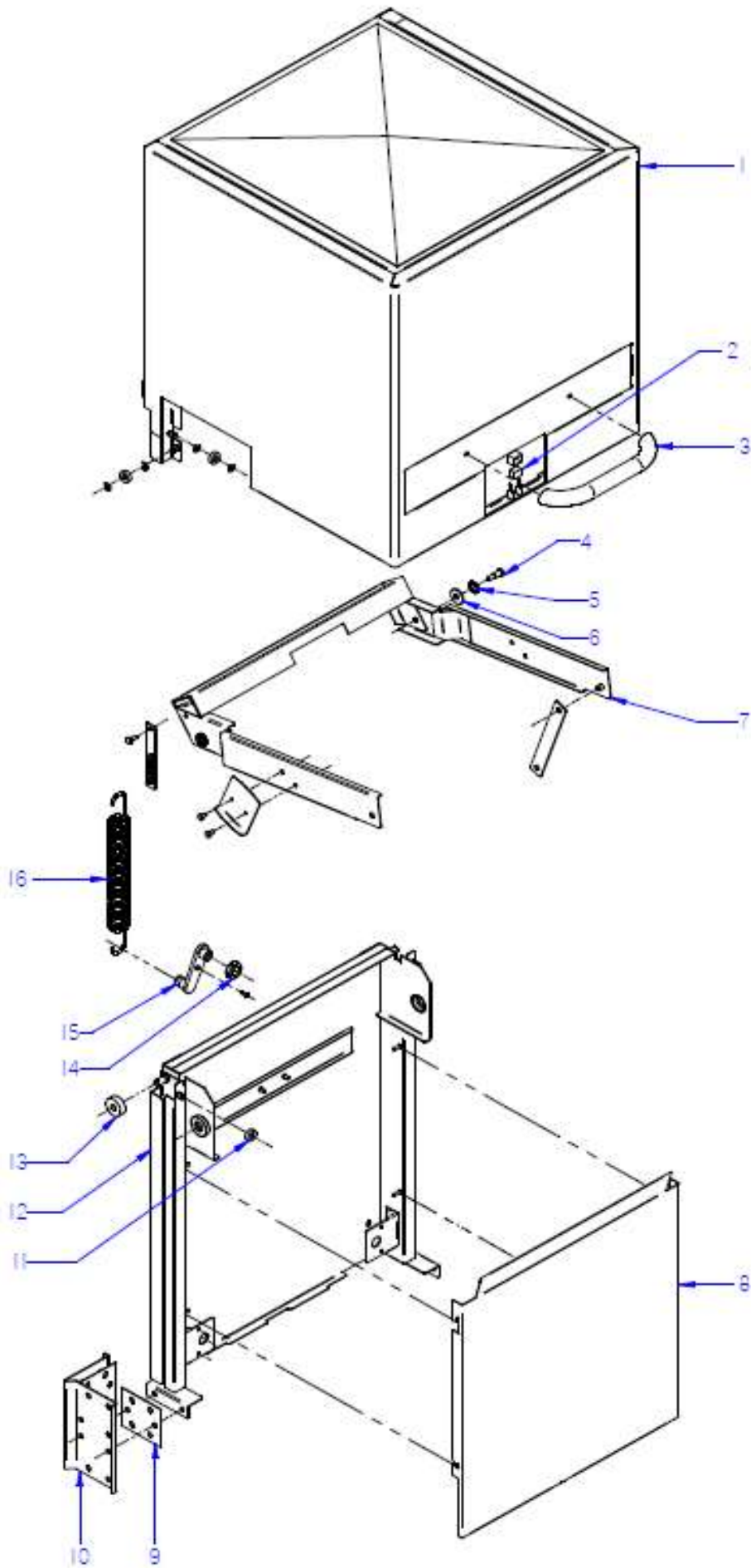
- \* Si su modelo no esta en la lista de planos, escoga la descripcion mas cercana
- \* If your model does appear in the list of drawings, choose the closest description

OPTIONS	DESCRIPCIÓN	DESCRIPTION
<b>B</b>	Bomba de desagüe	Drain Pump
<b>DD</b>	Dosificador de detergente	Detergent dispenser
<b>SA</b>	Ramas de lavado en acero inoxidable	Rinsing arms in Stainless Steel



Drawing	Signature	Date	Device	Extractor / Stocker	Sheet	ONNERA GROUP
HT-001	Aitor.U	2018-03			1	



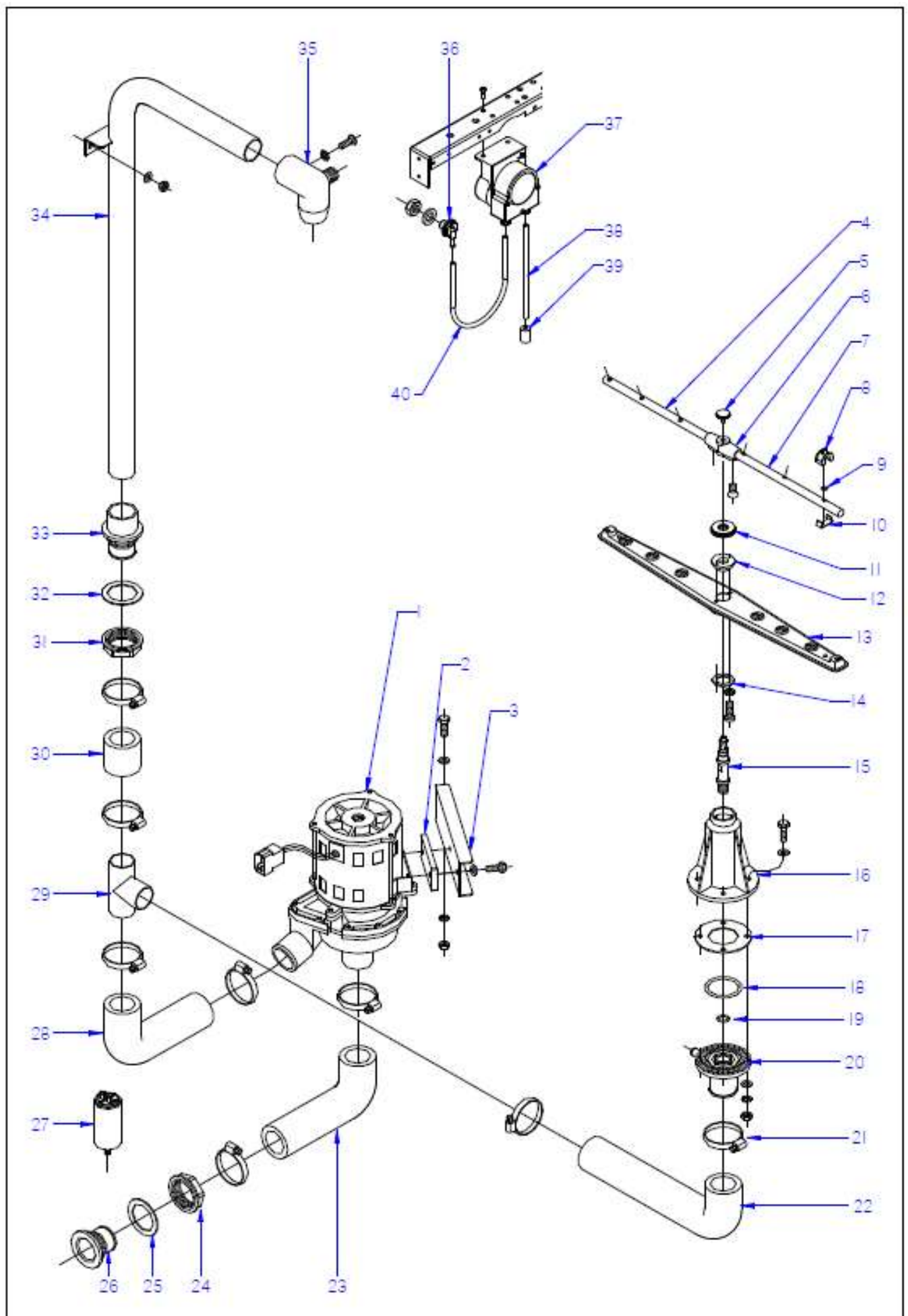


Drawing	Signature	Date	Device	Sheet
HT-002	Aitor.U	2018-03	CAPOTA / HOOD HOOD TYPE DISHWASHER	1

ONNERA GROUP

ZONA / ZONE		ARMAZON / FRAME										LÁMINA / DRAWING						HT_002
-------------	--	-----------------	--	--	--	--	--	--	--	--	--	------------------	--	--	--	--	--	--------

ITEM	REFERENCIA REFERENCE	DENOMINACIÓN	DENOMINATION											RECOMMENDED	ELIMINADO ELIMINATED	INTRODUCIDO INTRODUCED	NOTAS NOTES	
				G-OEM-H500	G-OEM-H500 DD	G-OEM-H500 B	G-OEM-H500 B DD	G-OEM-H510	G-OEM-H510 DD	G-OEM-H510 B	G-OEM-H510 B DD							
1	*	CAPOTA COMPLETA	COMPLETE HOOD	1	1	1	1	1	1	1	1	1						Check Optionals
2	12024303	IMAN	MAGNET	1	1	1	1	1	1	1	1	1						
3	*	ASA PUERTA	DOOR HANDLE	1	1	1	1	1	1	1	1	1						Check Optionals
4	12023966	EJE DE GIRO	ROTARY SHAFT	2	2	2	2	2	2	2	2	2						
5	12024032	RODAMIENTO 6200-2RS1	BEARING 6200-2RS1	2	2	2	2	2	2	2	2	2						
6	12009922	ARANDELA 30x10x3	WASHER 30x10x3	2	2	2	2	2	2	2	2	2						
7	12038365	BALANCIN COMPLETO	COMPLETE ROCKER ARM	1	1	1	1	1	1	1	1	1						
S/Nº	12010268	ARANDELA M8 INOX. DIN 125	Washer M8 SS DIN125	2	2	2	2	2	2	2	2	2						
S/Nº	12010272	ARANDELA GROW. 8mm DIN 127	Lock washer 8mm SS DIN127	2	2	2	2	2	2	2	2	2						
S/Nº	12010210	TUERCA HEXAGONAL M8 DIN 934	M8 SS NUT DIN934	2	2	2	2	2	2	2	2	2						
8	12022221	CUBIERTA RESORTES CLINIC	SPRING COVER	1	1	1	1	1	1	1	1	1						
9	12023517	JUNTA SOPORTE CAPO	HOOD SUPPORT SEAL	4	4	4	4	4	4	4	4	4						
S/Nº	12010076	TORNILLO HEX.M8x20 DIN 933	Screw M8x20 DIN 933	10	10	10	10	10	10	10	10	10						
S/Nº	12009965	TORNILLO EX M-8x20 LATON CRO.	HEX. BRASS CHROMED SCREW M8x	4	4	4	4	4	4	4	4	4						
S/Nº	12010268	ARANDELA M8 INOX. DIN125	WASHER M8 SS DIN125	14	14	14	14	14	14	14	14	14						
S/Nº	12010272	ARANDELA GR. 8mm DIN 127	Lock washer 8mm SS DIN127	14	14	14	14	14	14	14	14	14						
S/Nº	12010210	TUERCA HEX. M8 DIN 934	M8 SS NUT DIN934	10	10	10	10	10	10	10	10	10						
10	12021754	SOPORTE GUIA CAPO	HOOD GUIDE SUPPORT	2	2	2	2	2	2	2	2	2						
11	12025255	CASQUILLO RODANTE	REVOLVING BUSHING	4	4	4	4	4	4	4	4	4						
S/Nº	12010014	ARANDELA INOX. DIN 6799	SAFETY WASHER 8	8	8	8	8	8	8	8	8	8						
12	12007312	GUIA CAPO COMPLETA	COMPLETE HOOD GUIDE	1	1	1	1	1	1	1	1	1						
13	12025210	CASQUILLO	BUSHING	2	2	2	2	2	2	2	2	2						
14	12009948	TUERCA EXAGONAL M20	HEXAGONAL BOLT M20	2	2	2	2	2	2	2	2	2						
15	12025166	TENSOR MUELLE	TENSIONING SPRING	2	2	2	2	2	2	2	2	2						
16	12024948	RESORTE 29230	SPRING 29230	2	2	2	2	2	2	2	2	2						



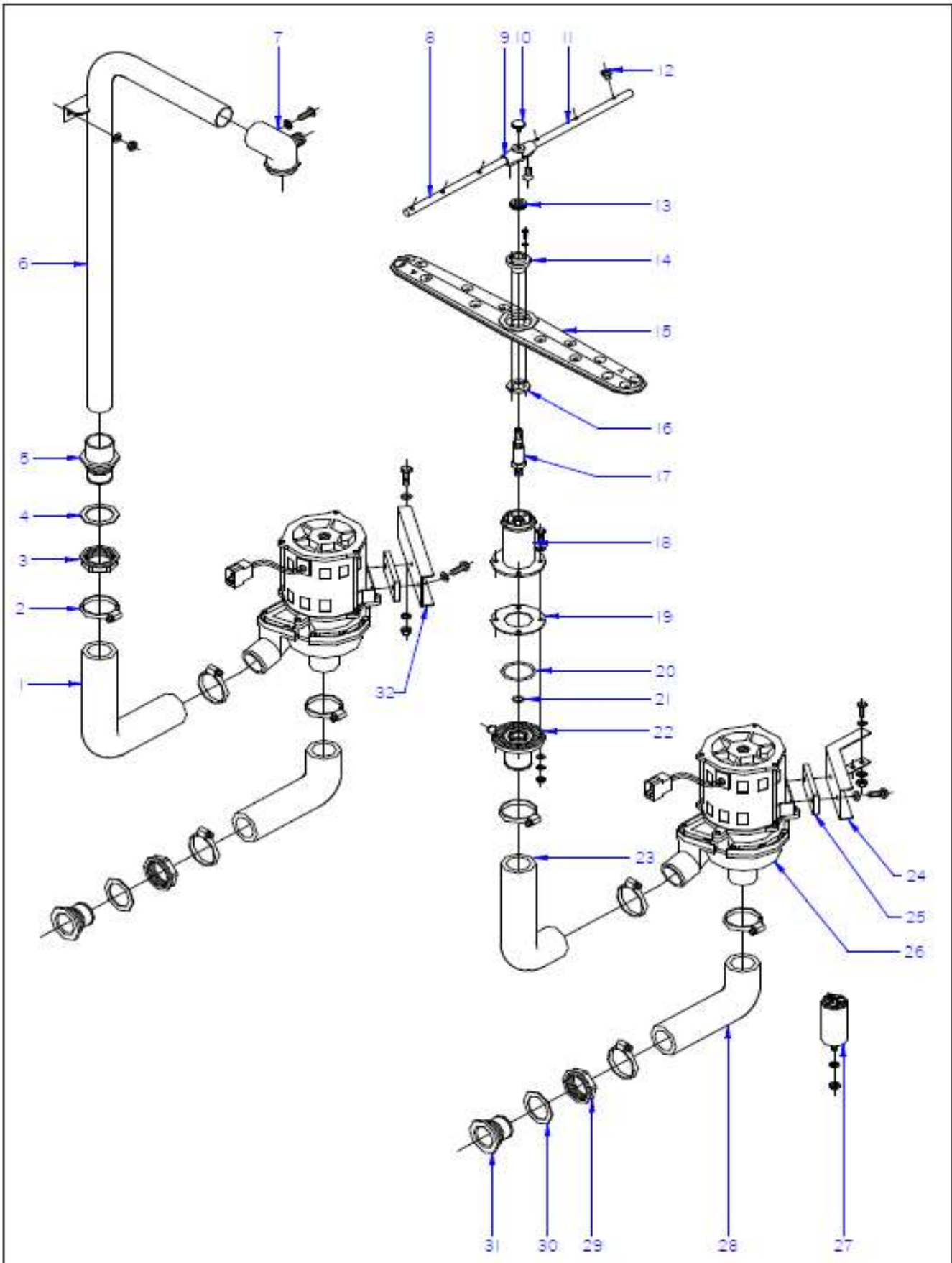
Drawing	Signature	Date	Device	Parte funcional de lavado: Washing functional part	Sheet	ONNERA GROUP
HT-003	Aitor.U	2018-03		HOOD TYPE DISHWASHER	1	

ZONA / ZONE		PARTE FUNCIONAL LAVADO / WASH FUNCTIONAL PART										LÁMINA / DRAWING					HT_003
-------------	--	---	--	--	--	--	--	--	--	--	--	------------------	--	--	--	--	--------

ITEM	REFERENCIA REFERENCE	DENOMINACIÓN	DENOMINATION	G-OEM-H500	G-OEM-H500 DD	G-OEM-H500 B	G-OEM-H500 B DD	G-OEM-H500 SA	G-OEM-H500 DD SA	G-OEM-H500 B SA	G-OEM-H500 B DD SA					RECOMMENDED	ELIMINADO ELIMINATED	INTRODUCIDO INTRODUCED	NOTAS NOTES
1	12043287	BOMBA DE LAVADO <b>50Hz</b>	WASH PUMP <b>50 Hz</b>	1	1	1	1	1	1	1	1					X			
1	12024270	BOMBA DE LAVADO <b>60 Hz</b>	WASH PUMP <b>60 Hz</b>	1	1	1	1	1	1	1	1					X			
2	12023556	BASE BOMBA LAVADO 1003016	WASH PUMP BASE 1003016	1	1	1	1	1	1	1	1								
3	12022471	SOPORTE MOTOBOMBA POSTER.	REAR MOTOR PUMP SUPPORT	1	1	1	1	1	1	1	1								
4	12023524	RAMA ACLARADO IZQUIERDA	LEFT RINSE BRANCH	2	2	2	2	-	-	-	-								
4	12113595	RAMA DE ACLARADO IZQUIERDA SS	LEFT RINSE BRANCH SS	-	-	-	-	2	2	2	2								
5	12009829	TORNILLO ESPECIAL M.5x0.8	SPECIAL BOLT M.5X0.8	2	2	2	2	2	2	2	2								
6	12024470	SOPORTE RAMA ACLARADO COM.	COM. RINSE BRANCH SUPPORT	2	2	2	2	2	2	2	2								
7	12023527	RAMA ACLARADO DERECHA	RIGHT RINSE BRANCH	2	2	2	2	-	-	-	-								
7	12113596	RAMA DE ACLARADO DERECHA SS	RIGHT RINSE BRANCH SS	-	-	-	-	2	2	2	2								
8	12024077	TOBERA ACLARADO	RINSE NOZZLE	12	12	12	12	-	-	-	-								
8	12024252	TOBERA ACLARADO SS	RINSE NOZZLE SS	-	-	-	-	12	12	12	12								
9	12024006	ENGANCHE TOB. ACLA.19728	Rinse nozzle holder	12	12	12	12	-	-	-	-								
10	12009912	Junta Torica 5,28x8,84x1,78	O-ring 5,28x8,84x1,78	12	12	12	12	-	-	-	-								
11	12024375	TUERCA ESPECIAL	SPECIAL NUT	2	2	2	2	2	2	2	2								
12	12110631	ENGANCHE DISTRIBUIDOR	Washing arm sleeve 500	2	2	2	2	2	2	2	2								
13	12025122	DISTRIBUIDOR COMPLETO	COMPLETE DISTRIBUTOR	2	2	2	2	2	2	2	2								
14	12024289	AMARRE ENGANCHE DISTRIBUID.	ANCHORAGE DISTRIBUTOR	2	2	2	2	2	2	2	2								
15	12023844	EJE CENTRAL	CENTRAL SHAFT	2	2	2	2	2	2	2	2								
16	12025170	SOPORTE DISTRIBUIDOR INFER.	LOWER DISTRIBUTION SUPPORT	1	1	1	1	1	1	1	1								
17	12024227	JUNTA DE GOMA	RUBBER SEAL	1	1	1	1	1	1	1	1								
18	12010118	JUNTA TORICA 47.22x54.28x3.53	O-RING 47.22x54.28x3.53	1	1	1	1	1	1	1	1								
19	12009837	JUNTA TORICA 13.94x19.18x2.6	O-RING 13.94x19.18x2.6	1	1	1	1	1	1	1	1								
20	12024312	PASAMUROS	BUSHING	1	1	1	1	1	1	1	1								
21	12009962	ABRAZADERA 40-60	CLAMP 40-60	8	8	8	8	8	8	8	8								
22	12023779	CONDUCTO INFERERIOR	LOWER PIPE	1	1	1	1	1	1	1	1								
23	12023625	CONDUCTO ASPIRACION	EXTRACTOR PIPE	1	1	1	1	1	1	1	1								
24	12023537	TUERCA PASAMUROS	WALL BUSHING NUT	1	1	1	1	1	1	1	1								
25	12009960	ARANDELA 60x44x2	WASHER 60x44x2	1	1	1	1	1	1	1	1								
26	12025261	PASAMUROS ASPIRACION	EXTRACTOR BUSHING	1	1	1	1	1	1	1	1								







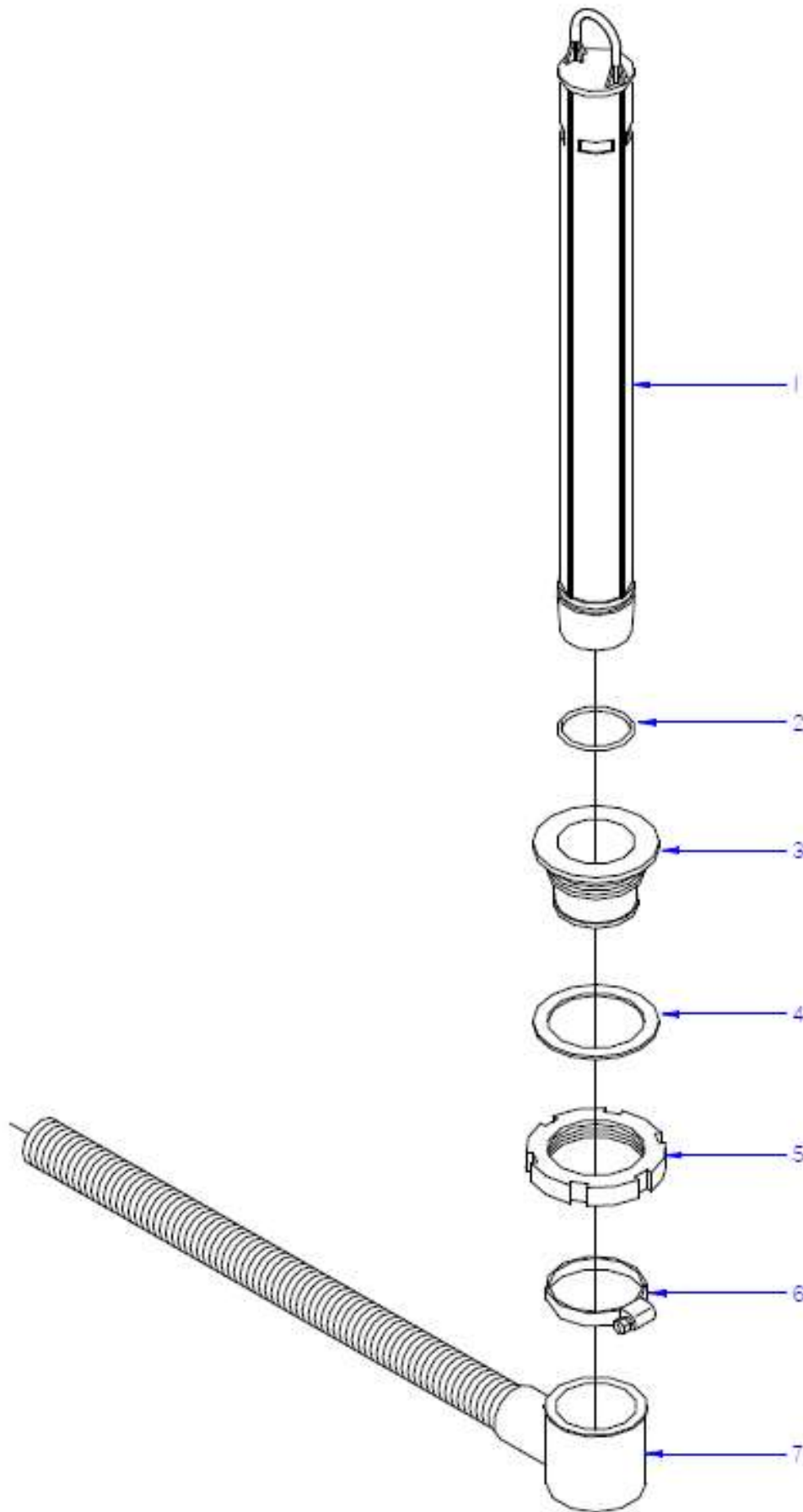
Drawing	Signature	Date	Device	Parte funcional de lavado High Power / High Power Washing functional part	Sheet	ONNERA GROUP
HT-009	Aitor.U	2018-03		HOOD TYPE DISHWASHER	1	

ZONA / ZONE	PARTE FUNCIONAL LAVADO HIGH POWER / HIGH POWER WASH FUNCTIONAL PART
-------------	---

LÁMINA / DRAWING	HT_009
------------------	--------

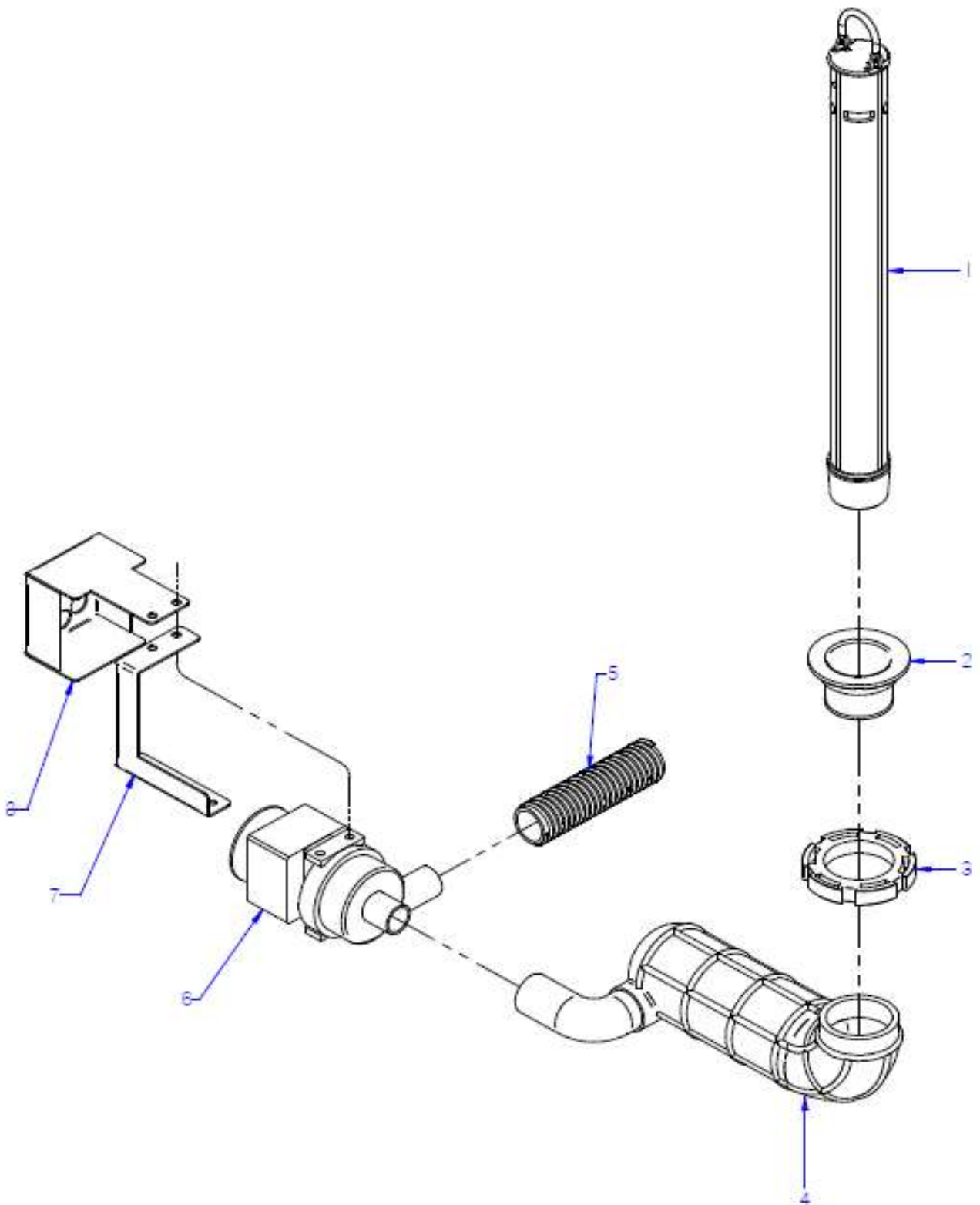
ITEM	REFERENCIA REFERENCE	DENOMINACIÓN	DENOMINATION	G-OEM-H510	G-OEM-H510 DD	G-OEM-H510 B	G-OEM-H510 B DD	G-OEM-H510 SA	G-OEM-H510 DD SA	G-OEM-H510 B SA	G-OEM-H510 B DD SA							RECOMMENDED	ELIMINADO ELIMINATED	INTRODUCIDO INTRODUCED	NOTAS NOTES	
1	12023519	CONDUCTO IMPULSION POSTER.	REAR IMPULSE PIPE	1	1	1	1	1	1	1	1											
2	12009962	ABRAZADERA 40-60	CLAMP 40-60	8	8	8	8	8	8	8	8											
3	12023537	TUERCA PASAMUROS	WALL BUSHING NUT	1	1	1	1	1	1	1	1											
4	12009960	ARANDELA 60x44x2	WASHER 60x44x2	1	1	1	1	1	1	1	1											
5	12025029	PASAMUROS IMPULSION PRELAV.	PREWASH IMPULSE BUSHING	1	1	1	1	1	1	1	1											
S/N°	12010172	JUNTA TORICA 43,01x33,77x2.62	O-RING 43,01x33,77x2.62	1	1	1	1	1	1	1	1											
6	12006587	ARBOL LAVADO COMPLETO	COMPLETE WASH CAM	1	1	1	1	1	1	1	1											
7	12024934	SOPORTE DISTRIBUIDOR SUP.	UPPER DISTRIBUTION SUPPORT	1	1	1	1	1	1	1	1											
8	12023524	RAMA ACLARADO IZQUIERDA	LEFT RINSE BRANCH	2	2	2	2	-	-	-	-											
8	12113595	RAMA DE ACLARADO IZQUIERDA SS	LEFT RINSE BRANCH SS	-	-	-	-	2	2	2	2											
9	12024470	SOPORTE RAMA ACLARADO COM.	COM. RINSE BRANCH SUPPORT	2	2	2	2	2	2	2	2											
10	12009829	TORNILLO ESPECIAL M.5x0.8	SPECIAL BOLT M.5X0.8	2	2	2	2	2	2	2	2											
11	12023527	RAMA ACLARADO DERECHA	RIGHT RINSE BRANCH	2	2	2	2	-	-	-	-											
11	12113596	RAMA DE ACLARADO DERECHA SS	RIGHT RINSE BRANCH SS	-	-	-	-	2	2	2	2											
12	12024077	TOBERA ACLARADO	RINSE NOZZLE	12	12	12	12	-	-	-	-											
S/N°	12024006	ENGANCHE TOB. ACLA.19728	Rinse nozzle holder	12	12	12	12	-	-	-	-											
S/N°	12009912	Junta Torica 5,28x8,84x1,78	O-ring 5,28x8,84x1,78	12	12	12	12	-	-	-	-											
12	12024252	TOBERA ACLARADO SS	RINSE NOZZLE SS	-	-	-	-	12	12	12	12											
13	12023653	TUERCA ESPECIAL	SPECIAL NUT	2	2	2	2	2	2	2	2											
14	12025116	CASQUILLO DISTRIBUIDOR	DISTRIBUTOR BUSHING	2	2	2	2	2	2	2	2											
15	12038375	DISTRIBUIDOR COMPLETO	COMPLETE DISTRIBUTOR	2	2	2	2	2	2	2	2											
16	12023674	ARANDELA AMARRE	ANCHORAGE WASHER	2	2	2	2	2	2	2	2											
17	12023601	EJE CENTRAL	CENTRAL SHAFT	2	2	2	2	2	2	2	2											
18	12023652	SOPORTE DISTRIBUIDOR INFER.	LOWER DISTRIBUTION SUPPORT	1	1	1	1	1	1	1	1											
19	12024227	JUNTA DE GOMA	RUBBER SEAL	1	1	1	1	1	1	1	1											
20	12010118	JUNTA TORICA 47.22x54.28x3.53	O-RING 47.22x54.28x3.53	1	1	1	1	1	1	1	1											
21	12009837	JUNTA TORICA 13.94x19.18x2.6	O-RING 13.94x19.18x2.6	1	1	1	1	1	1	1	1											
22	12024312	PASAMUROS	BUSHING	1	1	1	1	1	1	1	1											
23	12023741	CONDUCTO IMPULSION ANTER.	FRONT IMPULSE PIPE	1	1	1	1	1	1	1	1											
24	12021804	SOPOR. MOTOBOMBA ANTERIOR	SUPPORT FRONT MOTOR-PUMP	1	1	1	1	1	1	1	1											





Drawing	Signature	Date	Device	Parte funcional desajuste / Drainage functional part	Sheet	ONNERA GROUP
HT-004	Aitor.U	2018-03		HOOD TYPE DISHWASHER	1	

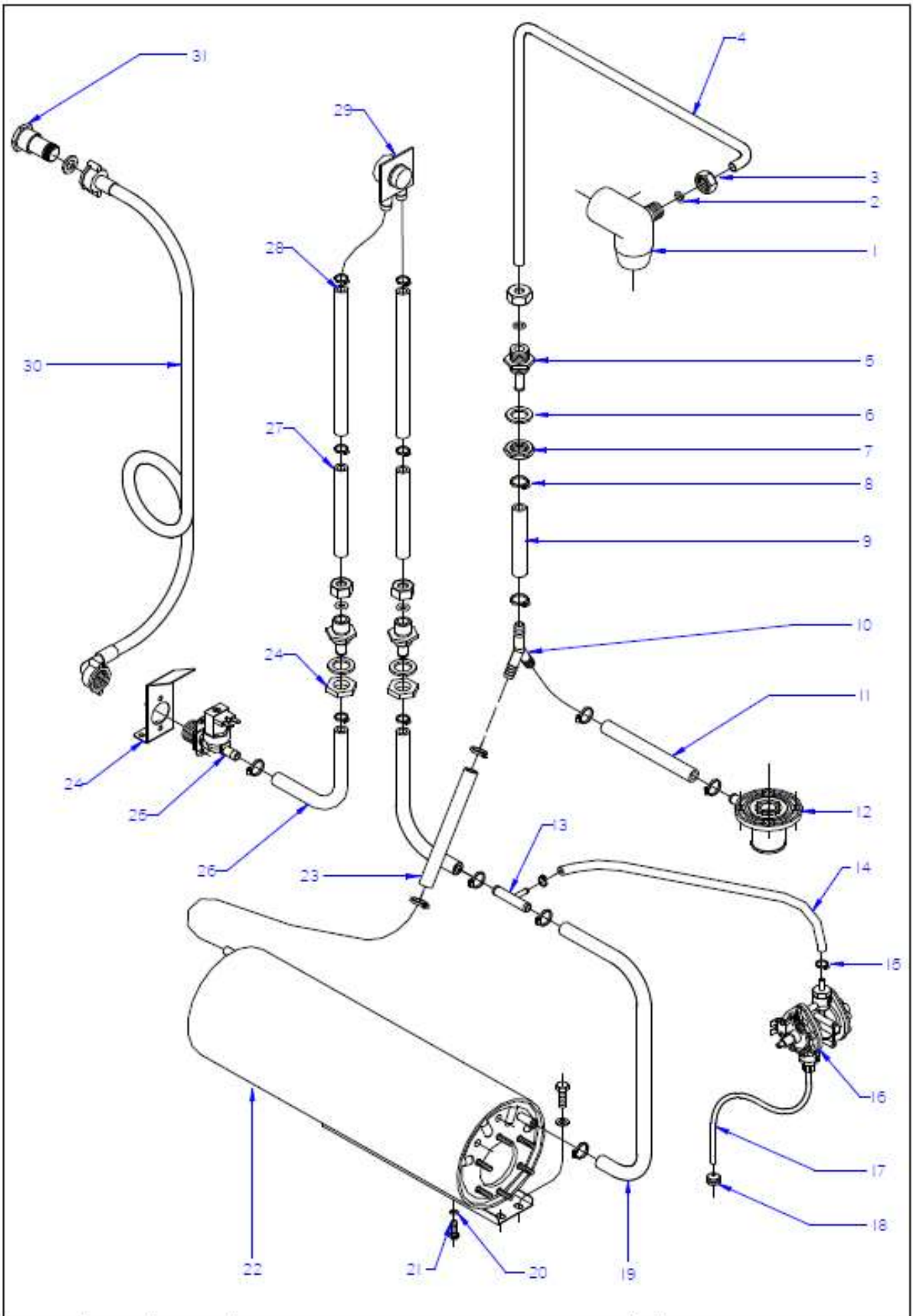




Drawing	Signature	Date	Device	Parte funcional/desagüe por bomba / Drainage by pump functional part	Sheet	ONNERA GROUP
HT-005	Aitor.U	2018-05		HOOD TYPE DISHWASHER	1	



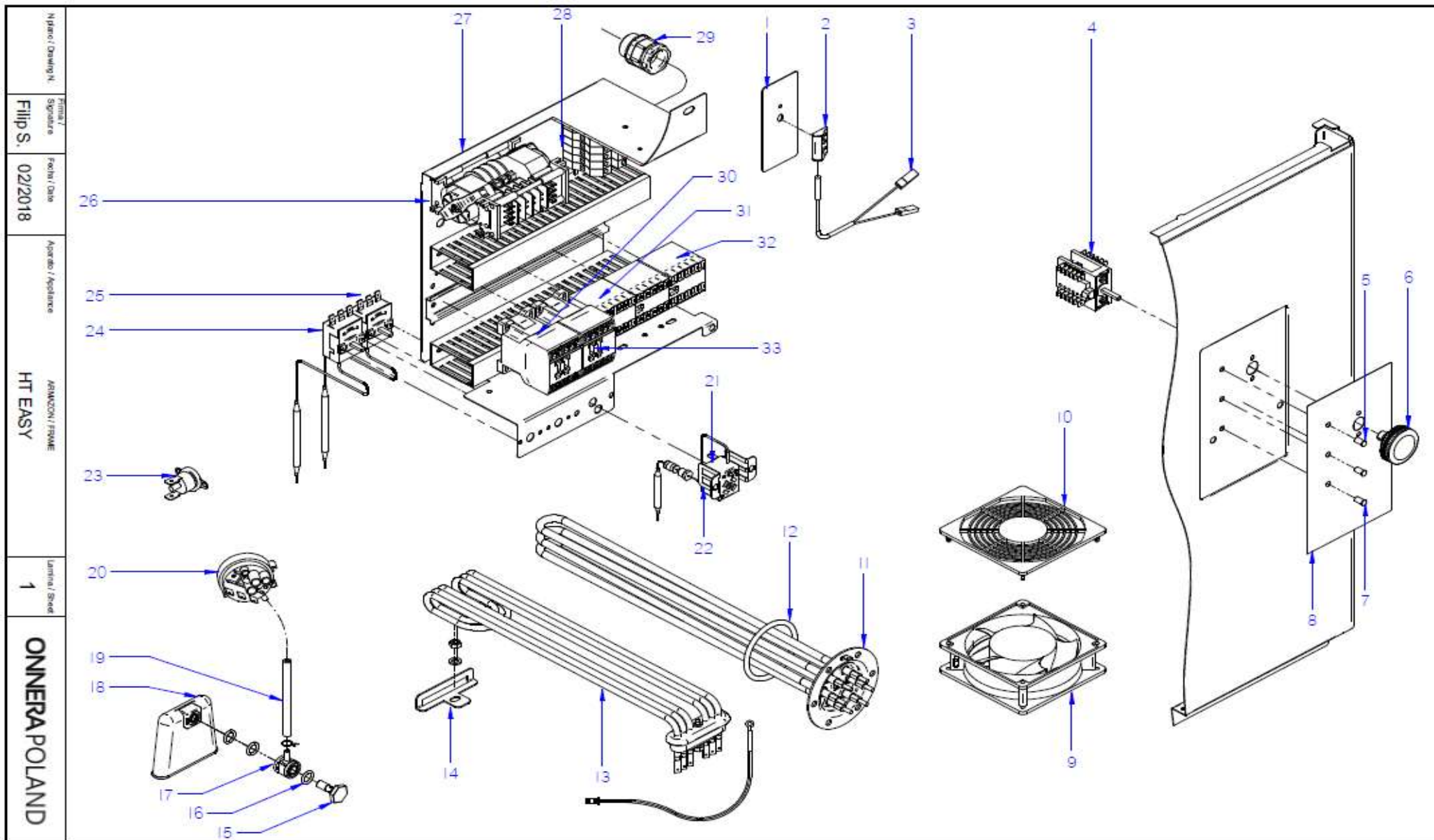




Drawing	Signature	Date	Device	Parte funcional adaptado / Rising functional part	Sheet	ONNERA GROUP
HT-006	Aitor.U	2018-03		HOOD TYPE DISHWASHER	1	

ZONA / ZONE		PARTE FUNCIONAL ACLARADO / RINSING FUNCTIONAL PART								LÁMINA / DRAWING								HT_006			
ITEM	REFERENCIA REFERENCE	DENOMINACIÓN	DENOMINATION	G-OEM-H500	G-OEM-H500 DD	G-OEM-H500 B	G-OEM-H500 B DD	G-OEM-H510	G-OEM-H510 DD	G-OEM-H510 B	G-OEM-H510 B DD							RECOMMENDED	ELIMINADO ELIMINATED	INTRODUCIDO INTRODUCED	NOTAS NOTES
1	12024927	SOPORTE DISTRIBUIDOR SUPER.	UPPER DISTRIBUTION SUPPORT	1	1	1	1	1	1	1	1										
2	12010256	JUNTA TORICA Ø9.12X16.18X3.53	O-RING Ø9.12X16.18X3.53	4	4	4	4	4	4	4	4										
3	12009819	TUERCA M.20x2.5	NUT M.20X2.5	4	4	4	4	4	4	4	4										
4	12025059	CONDUCCION	CONDUCTION	1	1	1	1	1	1	1	1										
5	12024395	PASAMUROS ACLARADO	RINSE BUSHING	3	3	3	3	3	3	3	3										
6	12009947	JUNTA Ø 32X21X3	SEAL Ø 32X21X3	3	3	3	3	3	3	3	3										
7	12007871	TUERCA EXAGONAL 5-8 LATON	HEX NUT 5-8 BRASS	3	3	3	3	3	3	3	3										
8	12041731	ABRAZADERA 12-20	CLAMP 12-20	16	16	16	16	16	16	16	16										
9	12155765	CONDUCTO Y - PASAMUROS INF.	Y FITTING - LOWER FEED. HOSE	1	1	1	1	1	1	1	1										
10	12023511	RACORD EN Y	Y SHAPE FITTING	1	1	1	1	1	1	1	1										
11	12155781	CONDUCTO Y - PASAMUROS CUBA	Y - TANK FEEDTHROUGH HOSE	1	1	1	1	1	1	1	1										
12	12024312	PASAMUROS CUBA INFERIOR	TANK LOWER FEEDTHROUGH	1	1	1	1	1	1	1	1										
13	12025288	RACORD EN T	T SHAPE FITTING	1	1	1	1	1	1	1	1										
14	12153565	CONDUCTO SALIDA ACLARADO	RINSE OUTLET HOSE	1	1	1	1	1	1	1	1										
15	12010047	ABRAZADERA 8-14L	CLAMP 8-14L	2	2	2	2	2	2	2	2										
16	12133010	DOSIFICADOR_ABRILLANTADOR	RINSE AID DISPENSER	1	1	1	1	1	1	1	1										
17	12092499	CONDUCTO ABRILL. AZUL	BLUE RINSE PIPE	1	1	1	1	1	1	1	1										
18	12024353	PESO FILTRO	FILTER WEIGHT	1	1	1	1	1	1	1	1										
19	12155779	CONDUCTO RACORD T - CALDERIN	T FITTING -BOILER HOSE	1	1	1	1	1	1	1	1										
20	12010030	TORNILLO HEX. M10x20 SS DIN933	HEX. SCREW M10x20 SS DIN933	1	1	1	1	1	1	1	1										
21	12010256	JUNTA TORICA Ø9.12X16.18X3.53	O-RING Ø9.12X16.18X3.53	1	1	1	1	1	1	1	1										
22	12022943	CALDERIN COMPLETO	COMPLETE DRUM	1	1	1	1	1	1	1	1										
23	12155780	CONDUCTO RACORD Y - CALDERIN	BOILER - Y FITTING HOSE	1	1	1	1	1	1	1	1										
24	12022229	ESCUADRA AMARRE ELECTROVA	SOLENOID VALVE BRACKET	1	1	1	1	1	1	1	1										
25	12025161	ELECTR. SIMP.220V COD.255.208	SOLENOID VALVE SIMP.220V COD.2	1	1	1	1	1	1	1	1										
26	12155775	CONDUCTO EV. - PASAMUROS	EV-TANK FEED. HOSE	1	1	1	1	1	1	1	1										
27	12022406	TUBO EMPALME	CONNECTION PIPE	1	1	1	1	1	1	1	1										
28	12155777	CONDUCTO PASAMUROS-ANTI.RET	FEED.-NON RETURN HOSE	2	2	2	2	2	2	2	2										
29	12024568	VALVULA ANTI-RETORNO	NON RETURN VALVE	1	1	1	1	1	1	1	1										





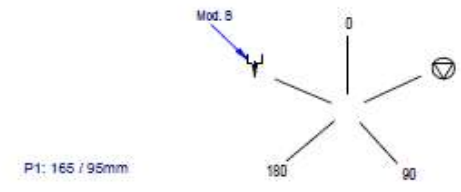
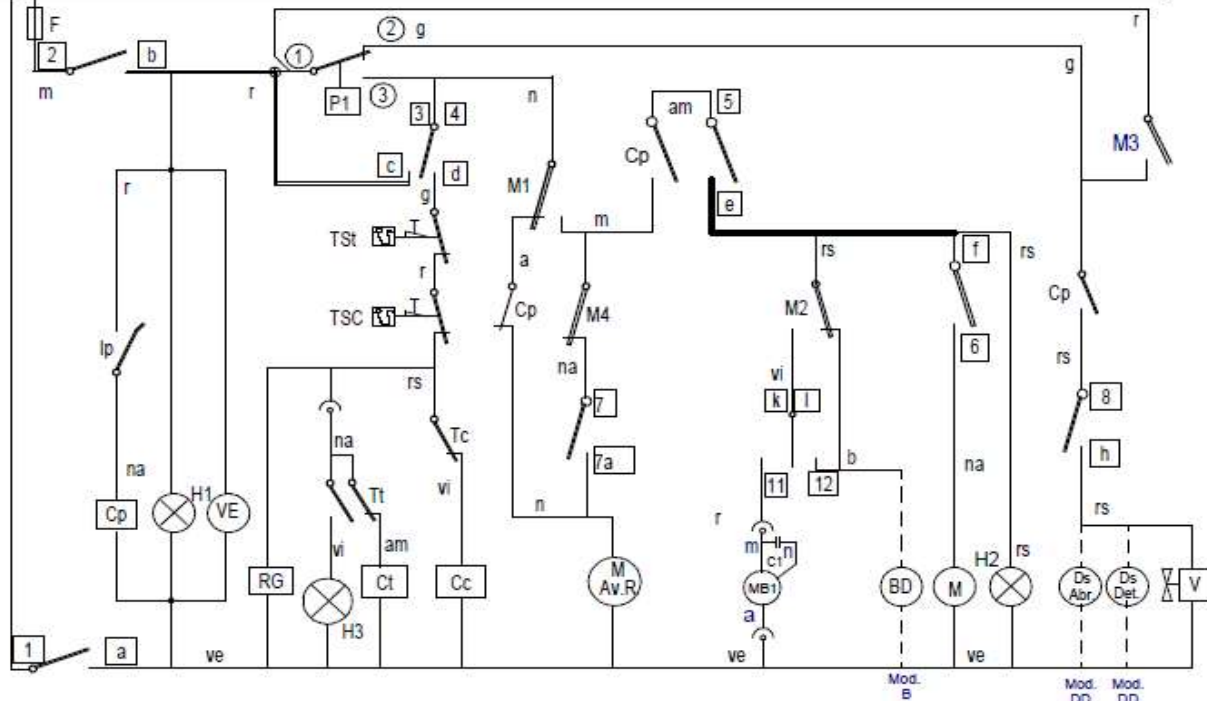
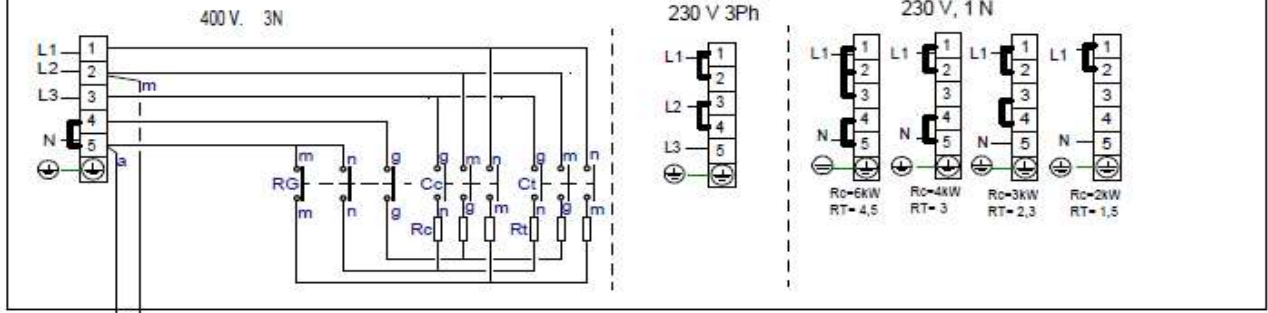
ZONA / ZONE		PARTE FUNCIONAL ELECTRICA EASY / EASY ELECTRIC FUNCTIONAL PART										LÁMINA / DRAWING					HT_008		
ITEM	REFERENCIA REFERENCE	DENOMINACIÓN	DENOMINATION	G-OEM-H500	G-OEM-H500 DD	G-OEM-H500 B	G-OEM-H500 B DD	G-OEM-H510	G-OEM-H510 DD	G-OEM-H510 B	G-OEM-H510 B DD					RECOMMENDED	ELIMINADO ELIMINATED	INTRODUCIDO INTRODUCED	NOTAS NOTES
1	12022312	APOYO INTERRUPTOR	SWITCH MAGNET SUPPORT	1	1	1	1	1	1	1	1								
2	12024066	AMARRE INTERRUPTOR MAGNET.	MAGNETIC SWITCH HOLDER	1	1	1	1	1	1	1	1								
3	12024477	INTERRUPTOR MAGNETICO	MAGNETIC SWITCH	1	1	1	1	1	1	1	1								
4	12023965	CONMUTADOR G-OEMH500	SWITCH G-OEMH500	1	1	1	1	-	-	-	-								
4	12024932	CONMUTADOR G-OEMH500	SWITCH G-OEMH500	-	-	-	-	1	1	1	1				X				
S/Nº	12023521	CASQUILLO CONMUTADOR	SWITCH SPACER	2	2	2	2	2	2	2	2				X				
5	12169231	PILOTO LED VERDE	GREEN LED LIGHT	2	2	2	2	2	2	2	2								
6	12170491	BOTON DE MANDO G-OEM-H500	G-OEM-H510 KNOB	1	1	-	-	-	-	-	-								
6	12170492	BOTON DE MANDO G-OEM-H500 B	G-OEM-H500 B KNOB	-	-	1	1	-	-	-	-								
6	12170493	BOTON DE MANDO G-OEM-H510	G-OEM-H500 KNOB	-	-	-	-	1	1	-	-								
6	12170494	BOTON DE MANDO G-OEM-H510 B	G-OEM-H510 B KNOB	-	-	-	-	-	-	1	1								
7	12169230	PILOTO LED AZUL	BLUE LED LIGHT	1	1	1	1	1	1	1	1								
8	*	EMBELLECEDOR G-OEM H-500	G-OEM H-500 STICKER	1	1	1	1	1	1	1	1								Check Optionals
9	12025177	PROTECCION VENTILADOR ABS	FAN PROTECTION	1	1	1	1	1	1	1	1								
10	12059050	VENTILADOR 230V,50/60 HZ	FAN 230V,50/60 HZ	1	1	1	1	1	1	1	1								
11	12024732	RESISTENCIA CALDERIN 6 Kw	BOILER HEATER 6 kW	1	1	1	1	-	-	-	-				X				
11	12024146	RESISTENCIA CALDERIN 12 Kw	BOILER HEATER 12 kW	-	-	-	-	1	1	1	1				X				
12	12010051	JUNTA TORICA RESISTENCIA CALD.	BOILER HEATER O-RING	1	1	1	1	1	1	1	1								
13	12023778	RESISTENCIA TANQUE 4,5 kW	TANK HEATER 4,5 Kw	1	1	1	1	1	1	1	1				X				
14	12021914	SOPORTE RESISTENCIA TANQUE	TANK RESISTOR SUPPORT	1	1	1	1	1	1	1	1								
15	12024222	TORNILLO PRESOSTATO	PRESOSTAT SCREW	1	1	1	1	1	1	1	1								
16	12009873	JUNTA TOR.16,01x10,77x2,62	O-RING 16.01X10.77X2.62	3	3	3	3	3	3	3	3								
17	12024157	EMPALME PRESOSTATO	PRESOSTAT HOLDER	1	1	1	1	1	1	1	1								
18	12024350	CAMARA PRESOSTATO	PRESSURE SWITCH	1	1	1	1	1	1	1	1								
19	12155774	Conducto Presostato	H-500 Presostat hose	1	1	1	1	1	1	1	1								
S/Nº	12023707	BRIDA ELASTICA TUBO	ELASTIC PIPE FLANGE	2	2	2	2	2	2	2	2								
20	12023804	PRESOSTATO SIMPLE 9,50-17mBa	9,50-17mBar SIMPLE PRESOTAT	1	1	1	1	1	1	1	1				X				
21	12023830	TERM. LIMITADOR CALDERIN	BOOSTER CUT-OUT THERMOSTAT	1	1	1	1	1	1	1	1								
22	12022151	AMARRE LIMITADOR TECASA	LIMITER FASTENING TECASA	1	1	1	1	1	1	1	1								
23	12096597	TERMOSTATO SEGURIDAD 110°C	SAFETY THERMOSTAT 110°C	1	1	1	1	1	1	1	1				X				

ZONA / ZONE	PARTE FUNCIONAL ELECTRICA EASY / EASY ELECTRIC FUNCTIONAL PART	LÁMINA / DRAWING	HT_008
-------------	--	------------------	--------

ITEM	REFERENCIA REFERENCE	DENOMINACIÓN	DENOMINATION	G-OEM-H500	G-OEM-H500 DD	G-OEM-H500 B	G-OEM-H500 B DD	G-OEM-H510	G-OEM-H510 DD	G-OEM-H510 B	G-OEM-H510 B DD						RECOMMENDED	ELIMINADO ELIMINATED	INTRODUCIDO INTRODUCED	NOTAS NOTES
24	12134992	TERMOSTATO 27-85°C	THERMOSTAT 27-85°C	1	1	1	1	1	1	1	1						X			
25	12161299	TERMOSTATO 60°C	THERMOSTAT 60°C	1	1	1	1	1	1	1	1						X			
26	12024177	PROGRAMADOR G-OEM H500 <u>50Hz</u>	PROGRAMER G-OEM H500 <u>50Hz</u>	1	1	1	1	-	-	-	-						X			
26	12024179	PROGRAMADOR G-OEM H500 <u>60Hz</u>	PROGRAMER G-OEM H500 <u>60Hz</u>	1	1	1	1	-	-	-	-						X			
26	12024571	PROGRAMADOR G-OEM H510 <u>50Hz</u>	PROGRAMER G-OEM H500 <u>50Hz</u>	-	-	-	-	1	1	1	1						X			
26	12017510	PROGRAMADOR G-OEM H510 <u>60Hz</u>	PROGRAMER G-OEM H500 <u>60Hz</u>	-	-	-	-	1	1	1	1									
27	12022539	CAJA CUADRO ELECTRICO CL	ELECTRIC PANEL H500	1	1	1	1	1	1	1	1									
28	12025214	BORNA 16	TERMINAL 16	3	3	3	3	3	3	3	3									
S/Nº	12025191	BORNA PASO WDU16 10204,8	STEP TERMINAL WDU16 10204.8	1	1	1	1	1	1	1	1									
S/Nº	12023727	BORNA A TIERRA WEIDMULLER	TERMINAL TO EARTH WEIDMULLER	1	1	1	1	1	1	1	1									
S/Nº	12040923	BORNAS PORTA FUSIBLES 13A 4	13 FUSE HOLDER	2	2	2	2	2	2	2	2									
S/Nº	12040926	FUSIBLE 0,50A Ø5MM 20X5 UL	FUSE 0,5A Ø5MM 20X5 UL	2	2	2	2	2	2	2	2									
S/Nº	12025171	TOPE FINAL WEW35 10590.0	BLOCK TERMINTAL	1	1	1	1	1	1	1	1									
S/Nº	12024743	BORNE TIER 10 WPE10103.O	BORNE TIER 10 WPE-10103.0	1	1	1	1	1	1	1	1									
S/Nº	12023373	Borna Paso 57A 10mm2 1vía UL	TERMINAL 10 WDU-10203.O	5	5	5	5	5	5	5	5									
S/Nº	12103361	CONECTOR 57A 10mm2 2vía 10mm	CONECTOR 57A 10mm2 2vía P.10mr	1	1	1	1	1	1	1	1									
S/Nº	12024199	Tope final borna 10mm2 UL	TERMINAL STOPPER 10mm2 UL	1	1	1	1	1	1	1	1									
S/Nº	12136706	Condensador 33µF	CONDENSER 33µF	4	4	4	4	4	4	4	4									
S/Nº	12120634	SEÑALIZACIÓN 1	SIGNAL 1	1	1	1	1	1	1	1	1									
29	12181609	PASACABLES PG-21	WIRE HOLDER PG-21	1	1	1	1	1	1	1	1									
S/Nº	12181608	TUERCA PASAMUROS CABLE	FEEDTHROUGH NUT	1	1	1	1	1	1	1	1						X			
30	12024012	CONTACTOR 3TF20 01-3AL2 230	CONTACTOR 3TF20 01-3AL2 2	1	1	1	1	2	2	2	2						X			
31	12024011	CONTACTOR 230 V. 50-60 HZ	CONTACTOR 230v	1	1	1	1	1	1	1	1						X			
32	12111795	Contacto 20A 4via UL	Contacto 20A 4via UL	2	2	2	2	2	2	2	2							30/06/2020		
32	12024040	Contacto 20A 4via UL	Contacto 20A 4via UL	2	2	2	2	2	2	2	2						X		30/06/2020	8102056273
33	12125338	CONTACTOR AUXILIAR	CONTACTOR AUXILIAR	-	-	-	-	2	2	2	2							30/06/2020		
33	12123259	CONTACTOR AUXILIAR	CONTACTOR AUXILIAR	-	-	-	-	2	2	2	2						X		30/06/2020	8102056273



# EASY H 500, B, DD



P1: 165 / 95mm

IG	1	2	3	4	5	6	7	8	9	10	11	12
0												
90	X	X	X				X	X				X
120	X	X	X	X	X	X		X				X
180	X	X	X	X	X						X	

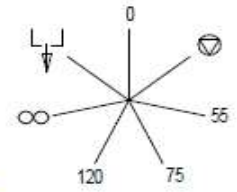
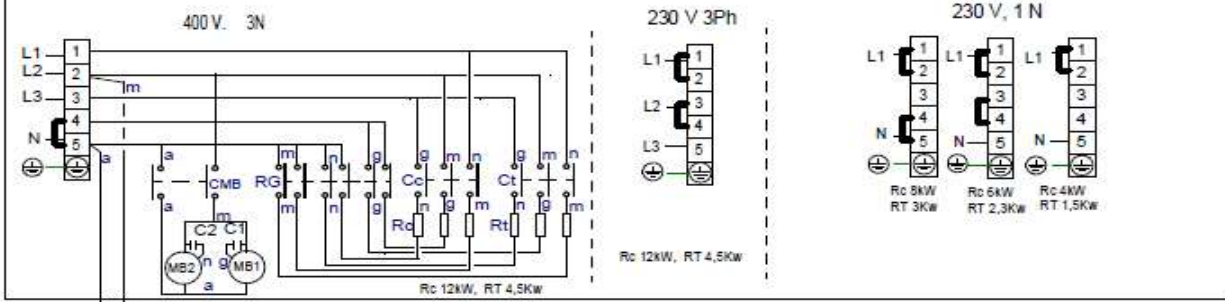


12129218

- Esquema teorico Capota Easy H500		- 12129218		-	
NP	TITLE	QTY	CODE	MATERIAL	TREATMENT
GENERAL TOLERANCES: ISO 2768-1 Very Coarse			SHEET FORMAT: A3		
DESIGN CENTER: ONNERA GROUP			DESIGN CENTER: ONA		
MATERIAL STATUS:			DOC STATUS:		
DESIGNED BY: M.MAILLO			VALIDATED BY: A.G.		DATE: 03.08.2015
12129218			SCALE: 1 / 1		
REVISION			PROPOSED BY: M.MAILLO		
			ISSUE DATE:		

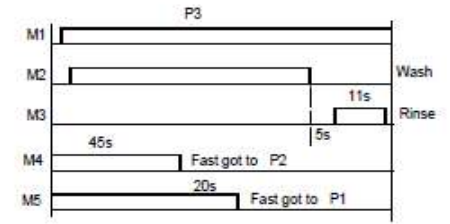
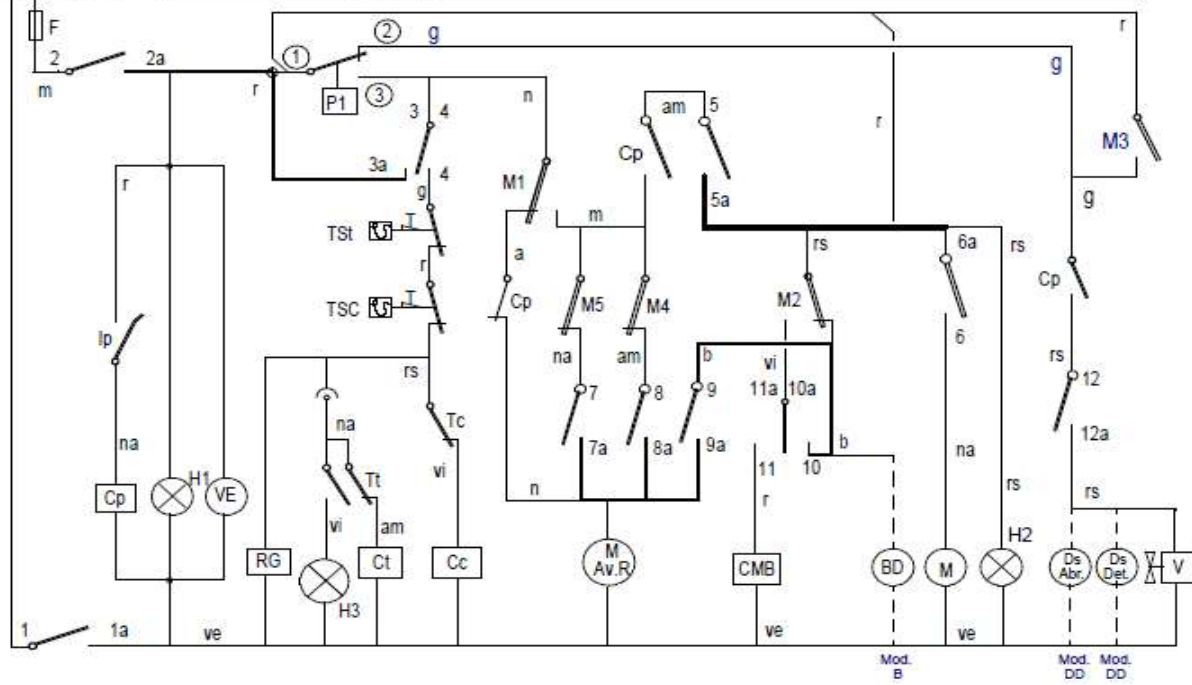


# EASY H 500 HP, B, DD



P1: 165 / 95mm

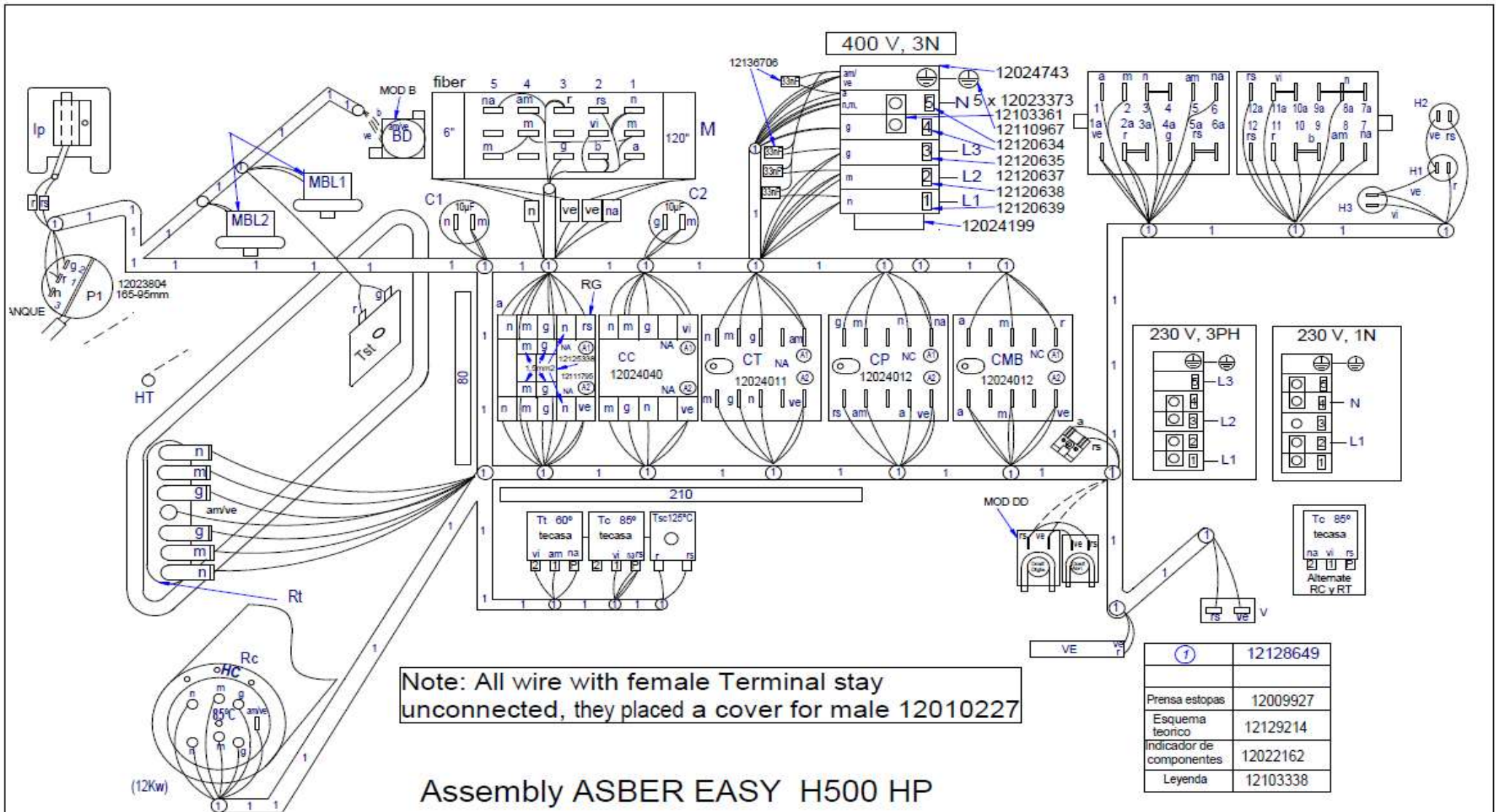
IG	1 1a	2 2a-3a	3 4a	4 5a-6a	5 6	6 7a-8a-9a	7 8	8 9-10	9 10a-11a	10 11	11 12	12
0												
∞	X	X	X								X	X
P1	X	X	X	X	X	X	X	X			X	X
P2	X	X		X	X	X		X				X
P3	X	X		X	X	X					X	X
∞	X	X	X	X	X				X		X	X
L	X	X	X	X	X					X		



12129214

Nº	Esquema Teorico Capota EASY H500 HP	12129214	TITLE	QTY	MATERIAL	TREATMENT
GENERAL TOLERANCES:		ISO 2768-1		Very Coarse		SHEET FORMAT: A3
ISO 2768-2		LAVAVAJILLAS		DESIGNED BY: M.MAILLO		DESIGN CENTER: ONA
12129214		REVISION		VALIDATED BY: A.G.		INAT STATUS:
				DATE: 03.09.2015		DOC STATUS:
				SCALE: 1 / 1		
		PROPOSED BY: M.MAILLO		ISSUE DATE:		





Plano Montaje Capota Easy H500 HP		12129254																																																																					
№	TÍTULO	QTY	CODIGO	MATERIAL	TREATMENT																																																																		
Normas de aplicación: ISO 2785-1 Very Clean																																																																							
<table border="1"> <tr> <th>Norma</th> <th>Descripción</th> <th>Clase</th> <th>Clase</th> <th>Clase</th> <th>Clase</th> </tr> <tr> <td>ISO 2785-1</td> <td>Very Clean</td> <td>1</td> <td>2</td> <td>3</td> <td>4</td> </tr> <tr> <td>ISO 2785-2</td> <td>Very Clean</td> <td>1</td> <td>2</td> <td>3</td> <td>4</td> </tr> <tr> <td>ISO 2785-3</td> <td>Very Clean</td> <td>1</td> <td>2</td> <td>3</td> <td>4</td> </tr> <tr> <td>ISO 2785-4</td> <td>Very Clean</td> <td>1</td> <td>2</td> <td>3</td> <td>4</td> </tr> <tr> <td>ISO 2785-5</td> <td>Very Clean</td> <td>1</td> <td>2</td> <td>3</td> <td>4</td> </tr> <tr> <td>ISO 2785-6</td> <td>Very Clean</td> <td>1</td> <td>2</td> <td>3</td> <td>4</td> </tr> <tr> <td>ISO 2785-7</td> <td>Very Clean</td> <td>1</td> <td>2</td> <td>3</td> <td>4</td> </tr> <tr> <td>ISO 2785-8</td> <td>Very Clean</td> <td>1</td> <td>2</td> <td>3</td> <td>4</td> </tr> <tr> <td>ISO 2785-9</td> <td>Very Clean</td> <td>1</td> <td>2</td> <td>3</td> <td>4</td> </tr> <tr> <td>ISO 2785-10</td> <td>Very Clean</td> <td>1</td> <td>2</td> <td>3</td> <td>4</td> </tr> </table>		Norma	Descripción	Clase	Clase	Clase	Clase	ISO 2785-1	Very Clean	1	2	3	4	ISO 2785-2	Very Clean	1	2	3	4	ISO 2785-3	Very Clean	1	2	3	4	ISO 2785-4	Very Clean	1	2	3	4	ISO 2785-5	Very Clean	1	2	3	4	ISO 2785-6	Very Clean	1	2	3	4	ISO 2785-7	Very Clean	1	2	3	4	ISO 2785-8	Very Clean	1	2	3	4	ISO 2785-9	Very Clean	1	2	3	4	ISO 2785-10	Very Clean	1	2	3	4				
Norma	Descripción	Clase	Clase	Clase	Clase																																																																		
ISO 2785-1	Very Clean	1	2	3	4																																																																		
ISO 2785-2	Very Clean	1	2	3	4																																																																		
ISO 2785-3	Very Clean	1	2	3	4																																																																		
ISO 2785-4	Very Clean	1	2	3	4																																																																		
ISO 2785-5	Very Clean	1	2	3	4																																																																		
ISO 2785-6	Very Clean	1	2	3	4																																																																		
ISO 2785-7	Very Clean	1	2	3	4																																																																		
ISO 2785-8	Very Clean	1	2	3	4																																																																		
ISO 2785-9	Very Clean	1	2	3	4																																																																		
ISO 2785-10	Very Clean	1	2	3	4																																																																		
DISHWASHER		DESIGNER BY	VALIDATED BY	DATE	REVISION																																																																		
12129254		-		04.08.2010	1 / 1																																																																		
PROPOSED BY: -		ISSUE DATE:																																																																					

## LEYENDA CAPOTA

	ESPAÑOL	FRANÇAIS	ENGLISH	DEUTSCH	ITALIANO	中文
Ⓐ Ⓑ	Puntos de conexión con R	Points de conexión R	Conecction point with R	<b>Anschlußpunkte mit R</b>	Punti di collegamento con R	带R接触点
BD	Bomba desagüe	Pompe de vidange	Drain pump	Abflußpumpe	Pompa scarico	排水泵
C 1/2/3	Condensador	Condensateur	Condenser	Kondensator	Condensatore	电容
CMB	Contactora bomba lavado	Contacteur pompe lavage	Wash pump contactor	Kontaktschutz Waschpumpe	Contattore pompa lavaggio	清洗泵接触器
Cc 1/2	Contactora calentamiento calderin	Contacteur chauff. surchauffeur	Boiler heating contactor	Kontaktschutz Boilerheizung	Contattore riscaldamento boiler	升温箱加热接触器
Ct	Contactora calentamiento tanque	Contacteur chauffage cuve	Tank heating contactor	Kontaktschutz Heizung Tank	Contattore riscaldamento serbatoio	水箱加热接触器
CP	Rele puerta	Relais porte	Door relay	Türelais	Rele porta	门继电器
Ds.Det.	Dosificador detergente	Dosueur de detergent	Detergent doser	Dosierer Spülmittel	Dosatore detersivo	清洗剂药液泵
E.B	Electrobomba de presión	Electropompe de pression	Electric pressure pump	Elektro-Drucksteigerungspumpe	Electropompa pressione	电子压力泵
IG	Interruptor general	Interrupteur general	Main switch	Hauptschalter	Interruttore generale	主开关
IP	Micro puerta	Micro porte	Door microswitch	Mikroschalter Tür	Micro porta	门磁开关
L1	Piloto de encendido	Voyant fonctionnement	Operation light	Betriebsanzeigelampe	Spia accensione	运行指示灯
L2	Piloto marcha	Voyant demarrage	Start light	Startanzeigelampe	Spia avvio	开始指示灯
L3	Piloto maquina preparada	Voyant machine prêt	Light machine ready	Betriebsbereitschaftsanzeigelampe	Pilota macchina preparata	加热完成 指示灯
MBL 1/2	Bomba lavado	Pompe lavage	Wash pump	Waschpumpe	Pompa lavaggio	清洗泵
M	Motor programador	Moteur du programmeur	Motor programmer	Motor Programmiervorrichtung	Motore programmatore	程序电机
M Av. R	Motor program. avance rapido	Moteur du progr.avance rapide	Motor program. rapid advance	Motor Programmiervorrich. schneller Vorlauf	Motore programmatore avanzamento rapido	程序电机 高速高级
M1	Micro programador marcha	Micro du programm. de marche	Micro programmer on	Motor Programmiervorrich. Betrieb	Micro programma. di funzionamento	微程序 开
M2	Micro programador lavado	Micro du programm. de lavage	Micro programmer wash	Motor Programmiervorrich. Waschen	Micro programmatore di lavaggio	微程序 清洗
M3	Micro programador aclarado	Micro du programm. de rinçage	Micro programmer on	Motor Programmiervorrich. Spülen	Micro programmatore di risciacquo	微程序 喷淋
M4	Micro programador Termo-stop	Micro du programm. Thermo-stop	Micro programmer Thermo-stop	Motor Programmiervorrich. Thermo-Stop	Micro programmatore Thermo-stop	微程序 加热停止
M5	Micro programador avance	Micro du programm. avance	Micro programmer advance	Motor Programmiervorrich. Vorlauf	Micro programmatore avanzamento	微程序 高级
M6	Micro programador avance	Micro du programm. avance	Micro programmer advance	Motor Programmiervorrich. Vorlauf	Micro programmatore avanzamento	微程序 高级
P, P1, P5	Presostato	Pressostat	Pressure switch	Druckwächter	Pressostato	压力开关
P2, P3, P4	Presostato limitador	Pressostat de sécurité	Hi-limit pressure switch	Begrenzer Druckwächter	Pressostato limitatore	高水位限制 压力开关
R	Rele de Generador de A.C.	Relais du Generateur	Generator rele	Relais Generator	Rele Generatore	热水供应器继电器
Ⓐ Ⓑ	Toma de alimentac. Generador A.C.	Alimentation generateur	Water heater feeding	Stromversorgungsanschluß Gener.	Alimentazione generatore	热水供应器电源线
RC	Resistencia calderin	Resistance surchauffeur	Boiler heating element	Heizwiderstand Boiler	Resistenza boiler	升温箱加热管
RT	Resistencia tanque	Resistance cuve	Tank heater	Heizwiderstand Tank	Resistenza serbatoio	水箱加热管
Tt	Termostato tanque	Thermostat de cuve	Tank thermostat	Thermostat Tank	Termostato serbatoio	水箱温控器
TC	Termostato calderin	Thermostat surchauffeur	Boiler thermostat	Thermostat kessel	Termostato boiler	升温箱温控器
Tst	Limitador tanque	Limiteur de cuve	Tank limiter	Begrenzer Tank	Limitatore serbatoio	水箱安全温控器
TSC	Limitador calderin	Limiteur surchauffeur	Boiler Hi-limit	Begrenzer Boiler	Limitatore boiler	升温箱安全温控器
TSTP	Termostato termo-stop	Thermostat Thermo-stop	Thermo-stop Thermostat	Thermostat Thermo-stop	Termostato Thermo-stop	温度停止温控器
V	Electrovalvula llenado y aclarado	Electrovan. remplissage rinçage	Fill and rinse valve	Elektroventil Füllen und Spülen	Elettroval. riempimento e risciacquo	电磁阀
VE	Ventilador cuadro electrico	Ventilateur tableau électrique	Switchboard fan	Schalttafelventilator	Ventilatore quadro elettrico	风机
COLOR	COLORES	COULEURS	COLOUR	FARBEN	COLORE	颜色
a =	Azul	Bleu	Blue	Blau	Blu	蓝色
am =	Amarillo	Jaune	Yellow	Gelb	Giallo	黄
am/ve =	Amarillo/verde	Jaune / vert	Yellow / green	Gelb/grün	Giallo/verde	黄/绿
b =	Blanco	Blanc	White	Weiß	Bianco	白
g =	Gris	Gris	Grey	Grau	Grigio	灰
m =	Marrón	Marron	Brown	Braun	Marrone	棕
n =	Negro	Noir	Black	Schwarz	Nero	黑
na =	Naranja	Orange	Orange	Orange	Arancio	橙
r =	Rojo	Rouge	Red	Rot	Rosso	红
rs =	Rosa	Rose	Pink	Rosa	Roseo	粉
ve =	Verde	Vert	Green	Grün	Verde	绿
vi =	Violeta	Violet	Purple	Violett	Viola	紫

Z-713036  
12022197

HC-17400 - 1

<b>Customer</b>	<b>Handle</b>	<b>Hood Sticker</b>	<b>Front Panel Sticker</b>
<b>MASTRO</b>	12024101	602301P0058	602301P0057
<b>TECNITALIA</b>	12024101	602301P0052	602301P0053
<b>GASTPARO</b>	12024557	602301P0073	602301P0073
<b>ASBER</b>	12024101	12091625	12091628
<b>ASPES</b>	12024101	12111153	12111154
<b>BRILLAR</b>	12023881	12115363	12115394
<b>GOOS</b>	12024557	12117711	12117710
<b>EDENOX</b>	12024005	12122005	12122006
<b>SZRON</b>	12024557	602301P0075	602301P0076
<b>SZRON NO NAME</b>	12024557	12117711	12117710